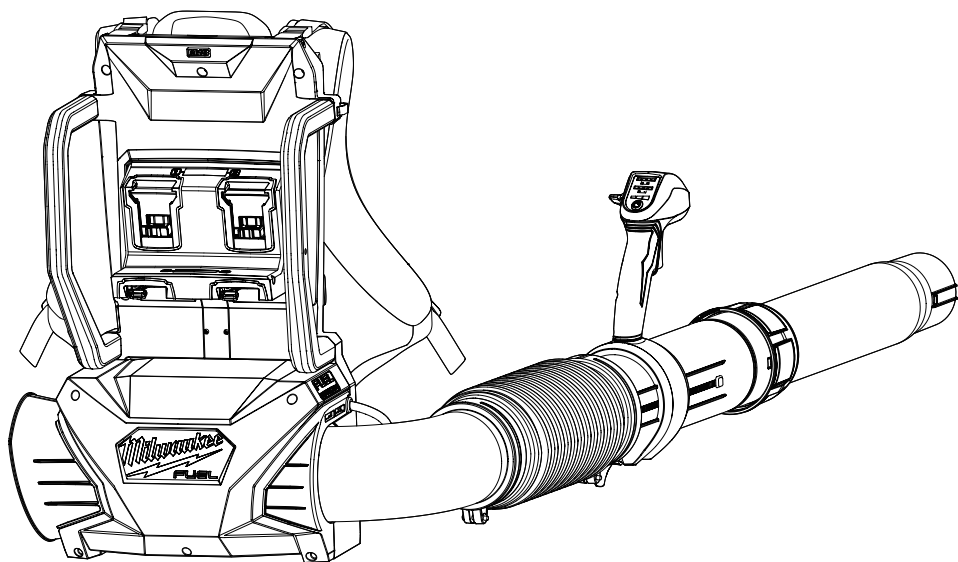




OPERATOR'S MANUAL
MANUEL de L'UTILISATEUR
MANUAL del OPERADOR



Cat. No. / No de Cat.
3009-20

M18 FUEL™ DUAL BATTERY BACKPACK BLOWER
SOUFFLANTE DORSALE À DOUBLE BATTERIE M18 FUEL™
SOPLADOR TIPO MOCHILA DE DOBLE BATERÍA M18 FUEL™



WARNING To reduce the risk of injury, user must read and understand operator's manual.

AVERTISSEMENT Afin de réduire le risque de blessures, l'utilisateur doit lire et bien comprendre le manuel.

ADVERTENCIA Para reducir el riesgo de lesiones, el usuario debe leer y entender el manual.

IMPORTANT SAFETY INSTRUCTIONS

⚠WARNING Read all safety warnings, instructions, illustrations and specifications provided with this power tool. Failure to follow all instructions listed below may result in electric shock, fire and/or serious injury. Save all warnings and instructions for future reference.

READ ALL INSTRUCTIONS BEFORE USE

WORK AREA SAFETY

- **Do not use in the presence of explosive dust, liquids or vapors. Power tools have motors and other parts that can produce sparks during normal use.** Do not use within 30 feet of areas where explosive materials may be present (such as gasoline pumps and places where liquids like paint thinners, cleaners, solvents, etc. are stored).
- **Do not use where oxygen or anesthetics are used.**
- **Do not permit children to use blower. It is not a toy. Close attention is necessary when used near children. Store idle power tools out of the reach of children and do not allow persons unfamiliar with the power tool or these instructions to operate the power tool.** Power tools are dangerous in the hands of untrained users.
- **Use extra care when using on stairs. Do not over-reach. Keep proper footing and balance at all times. Keep work area clean and well lit.** This enables better control of the tool in unexpected situations.
- **Avoid dangerous environmental conditions. To reduce the risk of electric shock, do not expose to rain. Store tool indoors.**
- **Inspect the area before using the power tool.** Remove all debris and hard objects such as rocks, glass, wire, etc. that can ricochet, be thrown, or otherwise cause injury or damage during operation.

PERSONAL SAFETY

- **Stay alert, watch what you are doing and use common sense when operating a power tool. Do not use a power tool while you are tired or under the influence of drugs, alcohol or medication.** A moment of inattention while operating power tools may result in serious personal injury.
- **Always wear eye protection. Use of this tool can result in foreign objects being blown into eyes, which can result in eye damage.**
- **Wear a face or dust mask** when working in dust situations. Dust particles can harm your lungs.
- **Use personal protective equipment.** Protective equipment such as hearing protection, protective clothing, and non-skid safety shoes used for appropriate conditions will reduce personal injuries.
- **Dress properly. Do not wear loose clothing or jewelry. Keep your hair and clothing away from moving parts.** Loose clothes, jewelry or long hair can be caught in moving parts.
- **Do not point tool at self or bystanders. Keep bystanders 50' away during use.** Objects may be thrown or ricochet in all directions.

• **Do not let familiarity gained from frequent use of tools allow you to become complacent and ignore tool safety principles.** A careless action can cause severe injury within a fraction of a second.

POWER TOOL USE AND CARE

- **Use the power tool, accessories, etc. in accordance with these instructions, taking into account the working conditions and the work to be performed.** Use of the power tool for operations different from those intended could result in a hazardous situation.
- **Prevent unintentional starting. Ensure the switch is in the off-position before connecting to power source and/or battery pack, picking up or carrying the tool.** Carrying power tools with your finger on the switch or energizing power tools that have the switch on invites accidents.
- **Use the correct power tool for your application.** The correct power tool will do the job better and safer at the rate for which it was designed.
- **Use only as described in this manual.** Use only manufacturer's recommended attachments.
- **Do not point tool at anything that is burning or smoking** such as cigarettes, matches, or hot ashes.
- **To reduce the risk of health hazards from vapors or dust, do not use tool near toxic, carcinogenic or other hazardous materials** such as asbestos, arsenic, barium, beryllium, lead, pesticides or other health endangering materials.

⚠WARNING Some dust created by power sanding, sawing, grinding, drilling, and other construction activities contains chemicals known to cause cancer, birth defects or other reproductive harm. Some examples of these chemicals are:

- lead from lead-based paint
- crystalline silica from bricks and cement and other masonry products, and
- arsenic and chromium from chemically-treated lumber.

Your risk from these exposures varies, depending on how often you do this type of work. To reduce your exposure to these chemicals: work in a well ventilated area, and work with approved safety equipment, such as those dust masks that are specially designed to filter out microscopic particles.

- **Do not use power tool if the switch does not turn it on and off.** Any power tool that cannot be controlled with the switch is dangerous and must be repaired.
- **Do not put hands or objects into openings.** Do not use with any opening blocked; keep free of dust, lint, hair, and anything else that may reduce air flow.
- **Keep handles and grasping surfaces dry, clean and free from oil and grease.** Slippery handles and grasping surfaces do not allow for safe handling and control of the tool in unexpected situations.
- **Maintain power tools and accessories. Check for misalignment or binding of moving parts, breakage of parts and any other condition that may affect the power tool's operation. If damaged, have the power tool repaired before use.** Many accidents are caused by poorly maintained power tools.

BATTERY PACK USE AND CARE

- Remove the battery pack from the power tool before making any adjustments, changing accessories, storing, or any time the power tool is not in use. Such preventive safety measures reduce the risk of starting the power tool accidentally.
- Turn off power tool before removing battery pack.
- Do not handle battery pack, tool, or charger (including charger plug and terminals) with wet hands.
- Before using the battery pack or charger read the operator's manuals, and any labels on the battery pack, charger and tool.
- Recharge only with the charger specified by the manufacturer. A charger that is suitable for one type of battery pack may create a risk of fire when used with another battery pack.
- Use tool only with specifically designated battery packs. Use of any other battery packs may create a risk of injury and fire.
- When battery pack is not in use, keep it away from other metal objects like paper clips, coins, keys, nails, screws, or other small metal objects that can make a connection from one terminal to another. Shorting the battery terminals together may cause burns or a fire.
- Under abusive conditions, liquid may be ejected from the battery; avoid contact. If contact accidentally occurs, flush with water. If liquid contacts eyes, additionally seek medical help. Liquid ejected from the battery may cause irritation or burns. It may be toxic if swallowed.
- Do not use damaged battery pack or tool. If battery pack or appliance are not working as they should, have been dropped, damaged, left outdoors, or dropped into water, return them to a service center.
- Do not modify or attempt to repair the tool or battery pack.
- Do not expose a battery pack or tool to fire or excessive temperature. Exposure to fire or temperature above 265°F (130°C) may cause explosion.
- Follow all charging instructions and do not charge the battery pack or tool outside the temperature range specified in the instructions. Charging improperly or at temperatures outside the specified range may damage the battery and increase the risk of fire.

SERVICE

- Have your power tool serviced by a qualified repair person using only identical replacement parts. This will ensure that the safety of the power tool is maintained.
- Never service damaged battery packs. Service of battery packs should only be performed by the manufacturer or authorized service providers.
- Maintain labels and nameplates. These carry important information. If unreadable or missing, contact a MILWAUKEE service facility for a free replacement.

SPECIFIC SAFETY RULES FOR BLOWERS

- Wear eye, ear, head and hand protection. Adequate protective equipment will reduce personal injury by flying debris.

- While operating the machine, always wear safety footwear. Do not operate the machine when barefoot or wearing open sandals. This reduces the chance of injury to the feet from contact with debris.
- While operating the machine, always wear long trousers. Exposed skin increases the likelihood of injury from thrown objects.
- Keep bystanders away while operating the machine. Thrown debris can result in serious personal injury.

⚠ WARNING To reduce the risk of injury, when working in dusty situations, wear appropriate respiratory protection or use an OSHA compliant dust extraction solution.

- Always use common sense and be cautious when using tools. It is not possible to anticipate every situation that could result in a dangerous outcome. Do not use this tool if you do not understand these operating instructions or you feel the work is beyond your capability; contact Milwaukee Tool or a trained professional for additional information or training.
- Maintain labels and nameplates. These carry important information. If unreadable or missing, contact a MILWAUKEE service facility for a free replacement.

⚠ WARNING Some dust created by power sanding, sawing, grinding, drilling, and other construction activities contains chemicals known to cause cancer, birth defects or other reproductive harm. Some examples of these chemicals are:

- lead from lead-based paint
- crystalline silica from bricks and cement and other masonry products, and
- arsenic and chromium from chemically-treated lumber.

Your risk from these exposures varies, depending on how often you do this type of work. To reduce your exposure to these chemicals: work in a well ventilated area, and work with approved safety equipment, such as those dust masks that are specially designed to filter out microscopic particles.

READ AND SAVE ALL INSTRUCTIONS FOR FUTURE USE

SPECIFICATIONS

Cat. No.	3009-20
Volts.....	36 DC
Battery Type	M18™
Charger Type.....	M18™
RPM.....	0 - 21,500
Air Speed.....	0 - 155 MPH
Air Flow.....	0 - 650 CFM
50' Bystander Sound Pressure Level	62 dB(A)
Recommended Ambient Operating Temperature.....	5°F to 113°F

SYMBOLGY


V Volts


— Direct Current

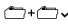
n_r XXXX min⁻¹ No Load Revolutions per Minute (RPM)


 Safety Alert Symbol


 Read Operator's Manual


 Always wear eye protection, hearing protection, and protective clothing and footwear.


 50' Bystander Sound Pressure Level


 Multiple batteries required


 Do not expose to rain or use in damp locations.


 Keep bystanders 50' away during use.

 Do not point tool at self or bystanders. Objects may be thrown or ricochet in all directions.

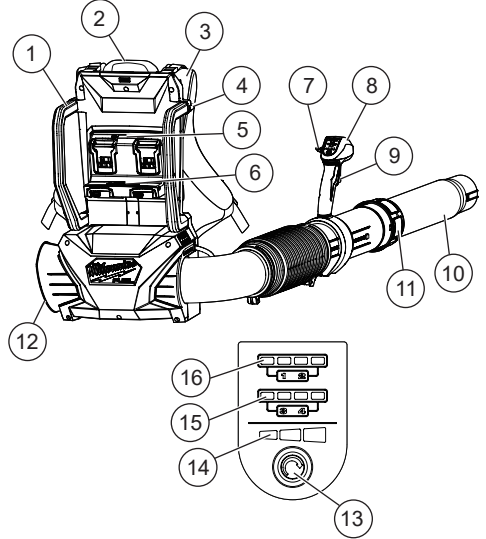
 Do not put hands or objects into openings. Laceration can occur.

 Keep hair contained. It can be pulled into moving parts.

 Do not wear loose clothing or jewelry. It can be pulled into moving parts.

 UL Listing for Canada and U.S.

FUNCTIONAL DESCRIPTION



- | | |
|---------------------------|------------------------------------|
| 1. Lift handles | 10. Extension tube |
| 2. Carrying handle | 11. Collar |
| 3. Shoulder straps | 12. Air intake vent |
| 4. Storage hook | 13. Mode cycle button |
| 5. Top battery bay* | 14. LED indicators |
| 6. Bottom battery bay* | 15. Bottom battery bay fuel gauge* |
| 7. Variable speed lock-on | 16. Top battery bay fuel gauge* |
| 8. Control handle | |
| 9. Trigger | |

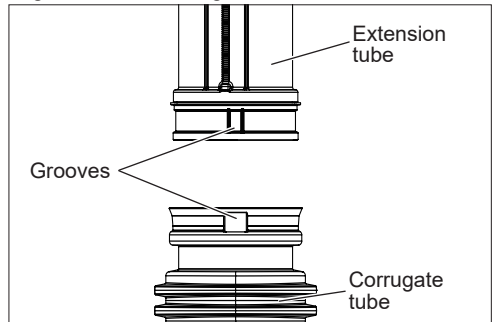
* Battery slots marked 1 and 2 make up the top battery bay. Battery slots marked 3 and 4 make up the bottom battery bay.

SET UP

The tool is shipped with the extension tube unassembled.

Prior to first use:

- WARNING!** Remove battery to avoid starting the tool.
- Make sure the wire and shoulder straps do not intermingle.
- Line up the groove of the extension tube with the groove of the corrugate tube.



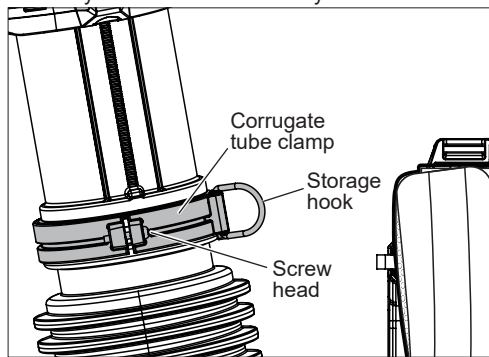
4. Push the extension tube into the corrugate tube, ensuring the grooves lock into place with one another.

NOTE: To allow more space, the control handle can be moved further away from the corrugate tube (see "Adjusting the Control Handle Position").

5. Insert the corrugate tube clamp over the groove of the corrugate tube. The storage hook on the corrugate tube clamp should point towards the body of the tool.

6. Secure the corrugate tube clamp to the corrugate tube using a T25 wrench (included). The screw must be inserted through the hole on the body side of the tool, with the screw pointing away from the body of the tool.

NOTE: Do not overtighten the screw. The control handle should be able to rotate freely approximately three-fourths of the way around the tube.



ASSEMBLY

⚠ WARNING Recharge only with the charger specified for the battery. For specific charging instructions, read the operator's manual supplied with your charger and battery.

Removing/Inserting the Battery

To remove the battery, push in the release buttons and pull the battery pack away from the tool.

⚠ WARNING Always remove the battery pack any time the tool is not in use.

To insert the battery, slide the pack into the body of the tool. Make sure it latches securely into place.

- The blower requires, at minimum, two charged battery packs to operate.
- The blower will not work with only one battery pack.
- There must be, at minimum, two charged battery packs in the same battery bay row for the tool to operate.
- For best results, use with (4) MILWAUKEE HIGH OUTPUT™ HD12.0 or higher capacity battery packs.

⚠ WARNING Only use accessories specifically recommended for this tool. Others may be hazardous.

Installing/Removing the Accessories

To install the nozzles, line up the tabs on the nozzle with the notches on the extension tube. Slide the nozzle onto the extension tube until it snaps in place. Pull on the nozzle to ensure it is secure. To remove, press the tabs in and pull away from the tool.

Fuel Gauge

Use the Fuel Gauges to determine the lowest battery pack's remaining run time. The Fuel Gauges are numbered to correspond with the individual battery bays. When less than 10% of charge is left, 1 light on the fuel gauge will flash slowly. When the battery reaches 0% charge, 1 light on the fuel gauge will flash quickly. Charge the battery packs.

If a Fuel Gauge doesn't appear to be working, place the corresponding battery pack on the charger and charge as needed. If that doesn't solve the issue, return the tool, battery pack and charger to the nearest authorized service center.

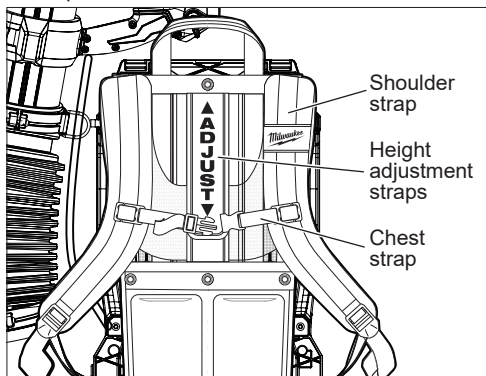
NOTE: Both batteries must be installed in a given battery bay for the Fuel Gauges to work. Immediately after using the battery pack, the Fuel Gauge may display a lower charge than it will if checked a few minutes later. The battery cells "re-cover" some of their charge after resting.



Fuel Gauge Lights	Diagnosis	Solution
Lights 1 - 4 Solid	Remaining run time	Continue working
1 Light, flashing slowly	Less than 10% run time left	Prepare to charge pack
1 Light, flashing quickly	End of discharge	Charge pack

Putting on the Backpack

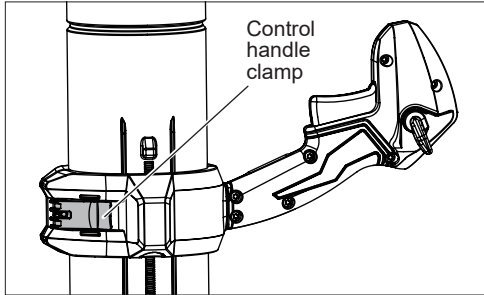
1. Ensure backpack is securely latched to base.
2. Pick up the backpack by one of the shoulder straps. Slide your arms through each shoulder strap.
3. With the tool on your back, tighten the shoulder straps until they fit snugly and securely. Connect chest strap.
4. Be sure the shoulder and chest straps are tight but comfortable; if they are too loose, the tool may slide around on your back, making it uncomfortable to wear.
5. If needed, the height, the height of the shoulder straps can be adjusted. To adjust, open the height adjustment straps. Move the shoulder straps to the desired height, and then reattach the height adjustment straps.



6. Be aware: tool forces may shift during use and movement, such as twisting or bending over.

Adjusting the Control Handle Position

1. Open the control handle clamp.



2. Move the control handle to the desired position.
3. Close the control handle clamp. Ensure the clamp completely snaps into place.

Adjusting the Extension Tube

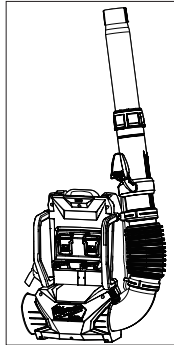
1. Rotate the collar counterclockwise. Pull the extension tube to the desired position.
2. Rotate the collar clockwise to lock the extension tube in place.

Storing the Tool

When not in use, the tube can be clipped to the body of the tool using the storage hook.

To **attach**, slide the ring on the extension tube into the storage hook. Rotate the collar clockwise to lock the extension tube in place.

To **remove**, pull the ring out of the storage hook and away from the body of the tool.



OPERATION

⚠️WARNING To reduce the risk of injury, always wear safety goggles or glasses with side shields.

Starting, Stopping and Controlling Speed

⚠️WARNING Do not point tool at self or bystanders 50' away during use. Objects may be thrown or ricochet in all directions.

1. To **start** the tool, grasp the handle firmly and pull the trigger.
2. To **vary** the speed, increase or decrease the pressure on the trigger. The further the trigger is pulled, the greater the speed.
3. To **stop** the tool, release the trigger. Ensure the tool has come to a complete stop before laying the tool down.

Using the Mode Cycle Button

Use the mode cycle button to cycle between low, medium, and high modes. The LED indicators will change to indicate which mode the tool is currently in.

Using the Variable Speed Lock-On

Use the variable speed lock-on to maintain a set speed while operating the tool.

To **initiate** the variable speed lock-on, hold down on the trigger and push up the variable speed lock-on with your thumb.

To **disable** the variable speed lock-on, hold down on the trigger and pull down the variable speed lock-on with your thumb.

Using the Blower

⚠️WARNING Inspect the area before using the blower. Remove all debris and hard objects such as rocks, glass, wire, etc. that can ricochet, be thrown, or otherwise cause injury or damage during operation.

Hold the tube 5"-6" above the ground.

Slowly sweep the blower from side to side.

Move forward slowly, working the debris into a pile.



In the event of blockages, release the trigger and remove the batteries before clearing any debris.

MAINTENANCE

⚠️WARNING To reduce the risk of injury, always unplug the charger and remove the battery pack from the charger or tool before performing any maintenance. Never disassemble the battery pack, charger, or tool, except as provided in these instructions. Contact a MILWAUKEE service facility for all other repairs.

Maintaining Tool

Keep your tool, battery pack and charger in good repair by adopting a regular maintenance program. Inspect your tool for issues such as undue noise, misalignment or binding of moving parts, breakage of parts, or any other condition that may affect the tool operation. Return the tool, battery pack, and charger to a MILWAUKEE service facility for repair. After six months to one year, depending on use, return the tool, battery pack and charger to a MILWAUKEE service facility for inspection.

If the tool does not start or operate at full power with a fully charged battery pack, clean the contacts on the battery pack. If the tool still does not work properly, return the tool, charger and battery pack, to a MILWAUKEE service facility for repairs.

⚠️WARNING To reduce the risk of personal injury and damage, never immerse your tool, battery pack or charger in liquid or allow a liquid to flow inside them.

Cleaning

Clean dust and debris from any vents. Keep tool clean, dry and free of oil or grease. Use only mild soap and a damp cloth to clean, since certain cleaning agents and solvents are harmful to plastics and other insulated parts. Some of these include gasoline, turpentine, lacquer thinner, paint thinner, chlorinated cleaning solvents, ammonia and household detergents containing ammonia. Never use flammable or combustible solvents around tools.

Repairs

For repairs, return the tool, battery pack and charger to the nearest authorized service center.

ACCESSORIES

⚠️WARNING Use only recommended accessories. Others may be hazardous.

For a complete listing of accessories, go online to www.milwaukeetool.com or contact a distributor.

SERVICE - UNITED STATES

1-800-SAWDUST (1.800.729.3878)

Monday-Friday, 7:00 AM - 6:30 PM CST

or visit www.milwaukeetool.com

Contact Corporate After Sales Service Technical Support with technical, service/repair, or warranty questions.

Email: metproductsupport@milwaukeetool.com

Become a Heavy Duty Club Member at www.milwaukeetool.com to receive important notifications regarding your tool purchases.

SERVICE - CANADA

Milwaukee Tool (Canada) Ltd

1.877.948.2360

Monday-Friday, 7:00 AM - 4:30 PM CST

or visit www.milwaukeetool.ca

LIMITED WARRANTY USA & CANADA

Every MILWAUKEE Outdoor Power Equipment Product* (see exceptions below) is warranted to the original purchaser from an authorized MILWAUKEE distributor only to be free from defects in material and workmanship. Subject to certain exceptions, MILWAUKEE will repair or replace any part on an outdoor power equipment product which, after examination, is determined by MILWAUKEE to be defective in material or workmanship for a period of three (3) years** after the date of purchase unless otherwise noted. Return of the outdoor power equipment to a MILWAUKEE factory Service Center location or participating MILWAUKEE Authorized Service Station, freight prepaid and insured, is required. A copy of the proof of purchase should be included with the return product. This warranty does not apply to damage that MILWAUKEE determines to be from repairs made or attempted by anyone other than MILWAUKEE authorized personnel, misuse, alterations, abuse, normal wear and tear, lack of maintenance, or accidents. Normal Wear: Many outdoor power equipment products need periodic parts replacement and service to achieve best performance. This warranty does not cover repair when normal use has exhausted the life of a part including, but not limited to mower blades, trimmer head, trimmer head spool, cutting lines, blades, chains, blower tubes, brushes, o-rings, and seals.

*This warranty does not cover Cordless Battery Packs or Reconditioned Product. There are separate and distinct warranties available for these products.

**The warranty period for SWITCH TANK™ tank assemblies, hoses, handles, and wands are one (1) year from the date of purchase.

MILWAUKEE does not cover freight or labor charges associated with the inspection and testing of outdoor power equipment products which are found by MILWAUKEE not to be a valid warranty claim. A valid warranty claim must be substantiated by the discovery of defective material or workmanship by MILWAUKEE.

ACCEPTANCE OF THE EXCLUSIVE REPAIR AND REPLACEMENT REMEDIES DESCRIBED HEREIN IS A CONDITION OF THE CONTRACT FOR THE PURCHASE OF EVERY MILWAUKEE PRODUCT. IF YOU DO NOT AGREE TO THIS CONDITION, YOU SHOULD NOT PURCHASE THE PRODUCT. IN NO EVENT SHALL MILWAUKEE BE LIABLE FOR ANY INCIDENTAL, SPECIAL, CONSEQUENTIAL, OR PUNITIVE DAMAGES, OR FOR ANY COSTS, ATTORNEY FEES, EXPENSES, LOSSES OR DELAYS ALLEGED TO BE AS A CONSEQUENCE OF ANY DAMAGE TO, FAILURE OF, OR DEFECT IN ANY PRODUCT INCLUDING, BUT NOT LIMITED TO, ANY CLAIMS FOR LOSS OF PROFITS. SOME STATES DO NOT ALLOW THE EXCLUSION OR LIMITATION OF INCIDENTAL OR CONSEQUENTIAL DAMAGES, SO THE ABOVE LIMITATION OR EXCLUSION MAY NOT APPLY TO YOU. THIS WARRANTY IS EXCLUSIVE AND IN LIEU OF ALL OTHER EXPRESS WARRANTIES, WRITTEN OR ORAL. TO THE EXTENT PERMITTED BY LAW, MILWAUKEE DISCLAIMS ANY IMPLIED WARRANTIES, INCLUDING WITHOUT LIMITATION ANY IMPLIED WARRANTY OF MERCHANTABILITY OR FITNESS FOR A PARTICULAR USE OR PURPOSE. TO THE EXTENT SUCH DISCLAIMER IS NOT PERMITTED BY LAW, SUCH IMPLIED WARRANTIES ARE LIMITED TO THE DURATION OF THE APPLICABLE EXPRESS WARRANTY AS DESCRIBED ABOVE. SOME STATES DO NOT ALLOW LIMITATIONS ON HOW LONG AN IMPLIED WARRANTY LASTS, SO THE ABOVE LIMITATION MAY NOT APPLY TO YOU. THIS WARRANTY GIVES YOU SPECIFIC LEGAL RIGHTS, AND YOU MAY ALSO HAVE OTHER RIGHTS WHICH VARY FROM STATE TO STATE.

This warranty applies to product sold in the U.S.A. and Canada only. Please consult the 'Service Center Search' in the Parts & Service section of MILWAUKEE's website www.milwaukeetool.com or call 1.800.SAWDUST (1.800.729.3878) to locate your nearest service facility for warranty and non-warranty service on a MILWAUKEE electric power tool.

INSTRUCTIONS IMPORTANTES CONCERNANT LA SÉCURITÉ

⚠️AVERTISSEMENT Consulter tous les avertissements de sécurité et toutes les instructions, les illustrations et les précisions fournis avec cet outil électrique. Ne pas suivre l'ensemble des instructions décrites ci-dessous peut entraîner une électrocution, un incendie et/ou des blessures graves. Conserver les avertissements et les instructions à des fins de référence ultérieure.

LIRE TOUTES LES INSTRUCTIONS AVANT L'UTILISATION

SÉCURITÉ DU LIEU DE TRAVAIL

- Ne pas utiliser en présence de liquides explosifs ou de poussière ou vapeurs explosives. Les outils électriques ont des moteurs et d'autres pièces qui peuvent produire des étincelles pendant l'utilisation normale. Ne pas utiliser à moins de 9 m (30') des zones où des matières explosives peuvent exister (tel que les pompes à essence et les zones de stockage des liquides comme les diluants pour peinture, les nettoyeurs, les solvants, etc.).
- Ne pas utiliser où l'oxygène ou les agents anesthésiques sont utilisés.
- Ne pas laisser les enfants utiliser la soufflette. Ceci n'est pas un jouet. Une surveillance étroite est impérative lorsqu'il est utilisé à proximité des

enfants. Entreposer l'outil électrique hors de la portée des enfants et interdire à quiconque de l'utiliser si la personne ne connaît pas bien le produit ou les instructions de fonctionnement. Les outils électriques sont dangereux dans les mains d'utilisateurs novices.

- **Redoubler de prudence lors de l'utilisation dans des escaliers. Ne pas travailler hors de portée. Toujours se tenir bien campé et en équilibre. Veiller à ce que l'aire de travail soit propre et bien éclairée.** Une bonne stabilité procure un meilleur contrôle de l'outil en cas d'imprévu.
- **Éviter les environnements dangereux. Pour réduire le risque de choc électrique, ne pas exposer à la pluie. Entreposer l'outil à l'intérieur.**
- **Inspecter la zone de travail avant d'utiliser l'outil électrique.** Éliminer tous les débris et les objets solides tels que pierres, verre, fils, etc. qui peuvent être ricochés ou projetés et peuvent causer des blessures ou des dommages pendant le fonctionnement.

SÉCURITÉ INDIVIDUELLE

- **Rester attentif, prêter attention au travail et faire preuve de bon sens lors de l'utilisation de tout outil électrique. Ne pas utiliser cet outil en cas de fatigue ou sous l'influence de l'alcool, de drogues ou de médicaments.** Un moment d'inattention pendant l'utilisation d'un outil électrique peut entraîner des blessures graves.
- **Toujours porter une protection oculaire. L'utilisation de cet outil peut causer la projection d'objets en direction du visage et entraîner des lésions oculaires.**
- **Porter un masque facial ou anti-poussières en travaillant dans des zones poussiéreuses.** Les particules de poussière peuvent endommager vos poumons.
- **Porter l'équipement de protection individuel requis.** Selon les conditions, porter une protection auditive, des vêtements de protection, des bottes de sécurité antidérapantes, réduira les blessures corporelles.
- **Porter une tenue appropriée. Ne pas porter de vêtements amples ni de bijoux. Garder les cheveux et les vêtements à l'écart des pièces en mouvement.** Les vêtements flottants, les bijoux ou les cheveux longs risquent d'être happés par les pièces en mouvement.
- **Ne pas diriger l'outil vers soi ou une autre personne. Pendant l'utilisation, garder les badauds à une distance minimale de 15 m (50').** Des objets peuvent être projetés ou ricocher dans toutes les directions.
- **La familiarité acquise de l'utilisation fréquente des outils ne doit pas vous permettre d'ignorer les principes de sécurité de l'outil.** Une fraction de seconde d'inattention peut entraîner des blessures graves.

UTILISATION ET ENTRETIEN DE L'OUTIL ÉLECTRIQUE

- **Utiliser l'outil électrique, les accessoires, etc. conformément à ces instructions en tenant compte des conditions de travail et de la tâche à effectuer.** L'usage d'un outil électrique pour des applications pour lesquelles il n'est pas conçu peut être dangereux.
- **Empêcher les démarrages accidentels. S'assurer que la gâchette est en position d'arrêt avant**

de brancher l'outil à une source de courant, d'insérer le bloc-piles, de ramasser l'outil ou de le transporter. Le fait de transporter un outil électrique en gardant le doigt sur la gâchette ou de mettre sous tension un outil électrique lorsque la gâchette est en position de marche favorise les accidents.

- **Utiliser l'outil électrique approprié pour votre application.** L'outil électrique approprié exécutera le travail mieux et de façon moins dangereuse s'il est utilisé dans les limites prévues.
- **Utiliser exclusivement selon les instructions de ce manuel.** Utiliser exclusivement les accessoires recommandés par le fabricant.
- **Ne pas diriger l'outil vers des éléments qui brûlent ou qui fument** comme des cigarettes, des allumettes ou des cendres chaudes.
- **Pour réduire les risques sur la santé attribuables aux vapeurs ou aux poussières, ne pas utiliser l'outil près de matières toxiques, carcinogènes ou toute autre matière dangereuse** telle que l'asbeste, l'arsenic, le baryum, le béryllium, le plomb, les pesticides ou les autres matières insalubres.

⚠ AVERTISSEMENT Certaines poussières générées par les activités de ponçage, de coupe, de rectification, de perçage et d'autres activités de construction contiennent des substances considérées être la cause de malformations congénitales et de troubles de l'appareil reproducteur. Parmi ces substances figurent:

- le plomb contenu dans les peintures à base de plomb;
- la silice cristalline des briques, du ciment et d'autres matériaux de maçonnerie, ainsi que
- l'arsenic et le chrome des sciages traités chimiquement.

Les risques encourus par l'opérateur envers ces expositions varient en fonction de la fréquence de ce type de travail. Pour réduire l'exposition à ces substances chimiques, l'opérateur doit travailler dans une zone bien ventilée et porter l'équipement de sécurité approprié, tel qu'un masque anti-poussière spécialement conçu pour filtrer les particules microscopiques.

- **Ne pas utiliser l'outil électrique si le commutateur ne permet pas de le mettre en marche ou en arrêter.** Tout outil électrique qui ne peut pas être contrôlé par son commutateur est dangereux et doit être réparé.
- **Éviter les démarrages accidentels. S'assurer que l'interrupteur est en position d'arrêt avant d'insérer le bloc-piles.** L'insertion du bloc-piles dans l'outil avec l'interrupteur est en position de marche augmente le risque d'accidents.
- **Ne pas placer les mains ou des objets dans les ouvertures.** Ne pas utiliser le produit si l'une ou l'autre des ouvertures est obstruée. Enlever toute la poussière, toutes les peluches et tous les cheveux, ou tout autre élément pouvant réduire la circulation de l'air.
- **Garder les poignées et les surfaces de prise sèches, propres et exemptes d'huile ou de graisse.** Les surfaces de prise et les poignées glissantes ne permettent pas de maintenir et de contrôler l'outil d'une manière sécuritaire en cas d'imprévu.
- **Entretien des outils électriques et les accessoires. Vérifier qu'aucune pièce mobile n'est mal alignée ou bloquée, qu'aucune pièce n'est brisée**

et s'assurer qu'aucun autre problème risque d'affecter le bon fonctionnement de l'outil. En cas de dommages, faire réparer l'outil électrique avant de l'utiliser. Beaucoup d'accidents sont causés par des outils électriques mal entretenus.

UTILISATION ET ENTRETIEN DU BLOC-PILES

- Retirer le bloc-piles de l'outil électrique avant tout réglage, changement d'accessoires, entreposage ou lorsque l'outil n'est pas utilisé. Ces mesures de sécurité préventives réduisent les risques de démarrage accidentel de l'outil électrique.
- Arrêter l'outil électrique avant de retirer le bloc-piles.
- Ne pas manipuler le chargeur, le bloc-piles ou l'outil (y compris la fiche du chargeur et les bornes) avec les mains mouillées.
- Avant d'utiliser le bloc-piles ou le chargeur, lire les manuels d'utilisation et toutes les étiquettes sur le bloc-piles, le chargeur et l'outil.
- Ne recharger qu'avec le chargeur spécifié par le fabricant. Un chargeur pouvant convenir à un type de bloc-piles peut entraîner un risque d'incendie lorsqu'il est utilisé avec un autre type de bloc-piles.
- N'utiliser l'outil qu'avec des bloc-piles recommandés. L'utilisation de tout autre bloc-piles peut créer un risque de blessures et d'incendie.
- Lorsque le bloc-piles n'est pas utilisé, le tenir éloigné des objets en métal tels que les trombones, les pièces de monnaie, les clés, les clous, les vis ou d'autres petits objets métalliques qui pourraient connecter les bornes. Le court-circuitage des bornes d'une pile peut entraîner des brûlures ou un incendie.
- Éviter tout contact avec le liquide pouvant être éjecté de la pile en cas d'emploi abusif. En cas de contact accidentel, rincer immédiatement les parties atteintes avec de l'eau. Si le liquide entre en contact avec les yeux, consulter un médecin. Le liquide éjecté des piles peut causer des irritations ou des brûlures. Il peut être toxique en cas d'ingestion.
- Ne pas utiliser un bloc-piles ou un outil endommagé. Si le bloc-piles ou l'outil ne fonctionne pas correctement, s'ils ont été tombés par terre, s'ils sont endommagés, s'ils ont été laissés à l'extérieur ou s'ils sont tombés dans l'eau, les retourner au centre de service.
- Ne pas modifier ou tenter de réparer l'outil ou le bloc-piles vous-même.
- Ne pas exposer un bloc-piles ou un outil au feu ou à une température excessive. L'exposition au feu ou à une température supérieure à 130 °C (265 °F) peut provoquer une explosion.
- Suivre toutes les instructions de recharge et ne pas recharger le bloc-piles ou l'outil en dehors de la plage de températures spécifiée dans les instructions. Une recharge incorrecte ou à des températures en dehors de la plage spécifiée peut endommager la pile et augmenter le risque d'incendie.

ENTRETIEN

- Les réparations de l'outil électrique doivent être confiées à un technicien qualifié, utilisant exclusivement des pièces identiques à celles d'origine. Le maintien de la sûreté de l'outil électrique sera ainsi assuré.
- Ne jamais effectuer la réparation d'un bloc-piles endommagé. La réparation du bloc-piles doit être

réalisée par le fabricant ou les fournisseurs de service agréés uniquement.

- **Maintenir en l'état les étiquettes et les plaques d'identification.** Des informations importantes y figurent. Si elles sont illisibles ou manquantes, contacter un centre de services et d'entretien MILWAUKEE pour un remplacement gratuit.

RÈGLES DE SÉCURITÉ SPÉCIFIQUES POUR SOUFFLANTES

Porter une pièce d'équipement de protection pour les yeux, les oreilles, la tête et les mains. Le port d'un équipement de protection adéquat minimisera le risque de blessures corporelles à cause des débris volants.

- **Lors de l'utilisation de la machine, toujours porter des chaussures de sécurité. Ne pas utiliser la machine si vous êtes pieds nus ou si vous portez des sandales.** Ceci réduira les probabilités de subir des blessures aux pieds à cause d'un contact avec des débris.

• **Lors de l'utilisation de la machine, toujours porter un pantalon long.** La peau nue est plus susceptible à être touchée par des objets volants.

- **Ne laisser personne s'approche lors de l'utilisation de la machine.** Les débris volants pourront causer des blessures physiques graves.

AVERTISSEMENT Afin de minimiser le risque de blessures, lorsque de travaux sont faits dans de situations poussiéreuses, porter une protection respiratoire ou bien, utiliser une solution d'extraction de poussière conforme aux normes OSHA.

- **Toujours faire preuve de bons sens et procéder avec prudence lors de l'utilisation d'outils.** C'est impossible de prévoir toutes les situations dont le résultat est dangereux. Ne pas utiliser cet outil si vous ne comprenez pas ces instructions d'opération ou si vous pensez que le travail dépasse votre capacité ; veuillez contacter Milwaukee Tool ou un professionnel formé pour recevoir plus d'information ou formation.
- **Maintenir en l'état les étiquettes et les plaques d'identification.** Des informations importantes y figurent. Si elles sont illisibles ou manquantes, contacter un centre de services et d'entretien MILWAUKEE pour un remplacement gratuit.

AVERTISSEMENT Certaines poussières générées par les activités de ponçage, de coupe, de rectification, de perforage et d'autres activités de construction contiennent des substances considérées être la cause de malformations congénitales et de troubles de l'appareil reproducteur. Parmi ces substances figurent :

- le plomb contenu dans les peintures à base de plomb ;
- la silice cristalline des briques, du ciment et d'autres matériaux de maçonnerie, ainsi que
- l'arsenic et le chrome des sciages traités chimiquement. Les risques encourus par l'opérateur envers ces expositions varient en fonction de la fréquence de ce type de travail. Pour réduire l'exposition à ces substances chimiques, l'opérateur doit : travailler dans une zone bien ventilée et porter l'équipement de sécurité approprié, tel qu'un masque anti-poussière spécialement conçu pour filtrer les particules microscopiques.


LIRE ET CONSERVER TOUTES LES INSTRUCTIONS POUR UTILISATION FUTURE


PICTOGRAPHIE


V Volts


--- Courant direct

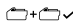
n_2 XXXX min⁻¹ Tours-minute à vide (RPM)


 Symbole d'alerte de sécurité


 Lire le manuel d'utilisation


 Toujours porter une protection oculaire, une protection auditive et des vêtements et des chaussures de protection.


 Distance des gens 15 m (50')
niveau de pression sonore


 Plusieurs batteries requises

 Pendant l'utilisation, garder les autres personnes à une distance minimale de 15 m (50').

 Ne pas diriger l'outil vers soi ou une autre personne. Des objets peuvent être projetés ou ricocher dans toutes les directions.

 Ne pas placer les mains ou des objets dans les ouvertures. Une lacération peut se produire.

 Garder les cheveux à l'écart. Ils peuvent être pris dans les parties en mouvement.

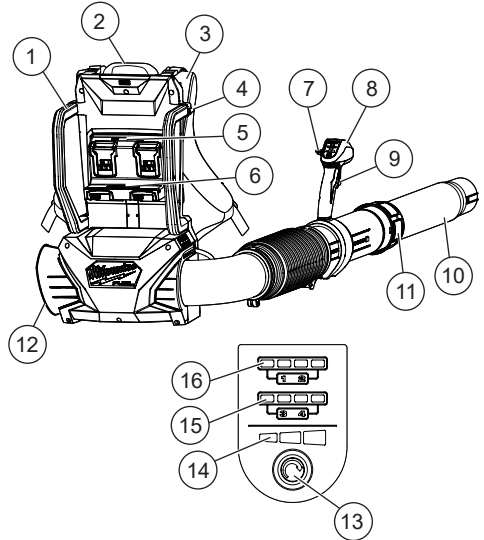
 Ne pas porter de vêtements amples ni de bijoux. Ils peuvent être pris dans les parties en mouvement.

 UL Listing Mark pour Canada et États-unis

SPÉCIFICATIONS

No de Cat.....	3009-20
Volts.....	36 CD
Type de batterie	M18™
Type de chargeur	M18™
RPM.....	0 - 21 500
Vitesse d l'air	0 - 155 MPH
Volume d'air.....	0 - 650 CFM
Distance des gens 15 m (50') niveau de pression sonore	62 dB(A)
Température ambiante de fonctionnement recommandée	-15°C à 45°C (5°F à 113°F)

DESCRIPTION FONCTIONNELLE



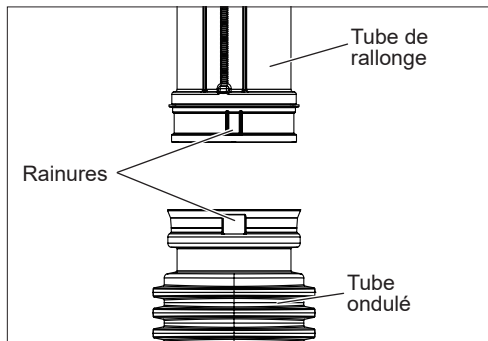
- | | |
|--------------------------------------|--|
| 1. Poignées de levage | 11. Collier |
| 2. Poignée de transport | 12. Évent d'aération |
| 3. Bandoulières | 13. Touche de cycle de mode |
| 4. Crochet de rangement | 14. Voyants à DEL |
| 5. Compartiment supérieur des piles* | 15. Jauge de carburant du compartiment inférieur de la batterie* |
| 6. Compartiment inférieur des piles* | 16. Jauge de carburant du compartiment de batterie supérieur* |
| 7. Verrouillage à vitesse variable | |
| 8. Poignée de commande | |
| 9. Gâchette | |
| 10. Tube de rallonge | |

* Les emplacements de batterie marqués 1 et 2 constituent la baie de batterie supérieure. Les emplacements de batterie marqués 3 et 4 constituent la baie de batterie inférieure.

CONFIGURATION

L'outil est livré avec le tube de rallonge désarmé. Avant la première utilisation :

1. **AVERTISSEMENT!** Retirez la batterie pour éviter de démarrer l'outil.
2. S'assurer que le fil et les bandoulières ne sont pas mêlés.
3. Aligner la rainure du tube de rallonge sur celle du tube ondulé.



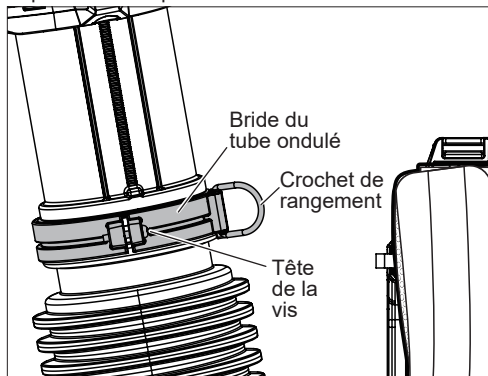
4. Pousser le tube de rallonge dans le tube ondulé, tout en s'assurant que les rainures sont verrouillées en place l'une avec l'autre.

REMARQUE : Pour jouir de plus de dégagement, il est possible de déplacer la poignée de commande pour l'éloigner du tube ondulé (voir la section « Réglage de l'emplacement de la poignée de commande »).

5. Insérer la bride du tube ondulé sur la rainure du tube ondulé. Le crochet de rangement sur la bride du tube ondulé doit se diriger vers le corps de l'outil.

6. Fixer la bride du tube ondulé au tube ondulé à l'aide d'une clé T25 (inclus). Il faut insérer la vis à travers le trou qui se trouve au côté du corps de l'outil, tout en dirigeant la vis loin du corps de l'outil.

REMARQUE : Ne pas trop serrer la vis. La poignée de commande doit tourner librement un peu près de trois quarts autour du tube.



MONTAGE DE L'OUTIL

⚠ AVERTISSEMENT Nerecharger la batterie qu'avec le chargeur spécifié. Pour les instructions de charge spécifiques, lire le manuel d'utilisation fourni avec le chargeur et les batteries.

Insertion/Retrait de la batterie

Pour retirer la batterie, enfoncer les boutons de déverrouillage et la tirer hors de l'outil.

⚠ AVERTISSEMENT Toujours retirer la batterie les fois que l'outil est inutilisé.

Pour insérer la batterie, la glisser dans le corps de l'outil. S'assurer qu'elle est fixée solidement.

- La soufflante nécessite au moins des deux blocs-piles chargés pour fonctionner.
- La soufflante ne fonctionnera pas si elle n'a qu'un seul bloc-piles.
- Il faut qu'il y ait au moins deux blocs-piles chargés dans la même ligne de compartiment des piles pour que l'outil fonctionne.
- Pour obtenir les meilleurs résultats, utiliser le produit avec (4) blocs-piles HIGH OUTPUT™ HD12,0 de MILWAUKEE ou ceux dont l'autonomie est supérieure.

⚠ AVERTISSEMENT L'emploi d'accessoires autres que ceux qui sont expressément recommandés pour cet outil peut comporter des risques.

Installation / enlèvement des accessoires

Pour installer les buses, aligner les loquets sur la buse en tenant les rainures dans le tube. Glisser la buse sur le tube jusqu'à ce qu'elle s'engage en place. Tirer sur la buse pour s'assurer qu'elle est fixe. Pour l'enlever, appuyer sur les loquets et tirer sur elles pour la séparer de l'outil.

Indicateur de charge

Utiliser les témoins de charge pour repérer sur l'autonomie restante du bloc-piles le plus faible. Les témoins de charge sont numérotés pour qu'ils correspondent aux compartiments individuels des piles. Un témoin sur l'indicateur de charge de la pile clignotera lentement s'il reste moins de 10 % de la charge. Lorsque l'autonomie du bloc-piles est à 0 %, 1 voyant du témoin de charge clignotera rapidement. Charger les blocs-piles.

S'il paraît que le témoin de charge ne fonctionne pas, mettre le bloc-piles correspondant dans le chargeur et le chargeur au besoin. Si ceci ne règle pas le problème, retourner l'outil, le bloc-piles et le chargeur au centre de service agréé le plus proche.

REMARQUE : Il faut installer les deux blocs-piles dans un compartiment des piles donné pour que les témoins de charge fonctionnent.

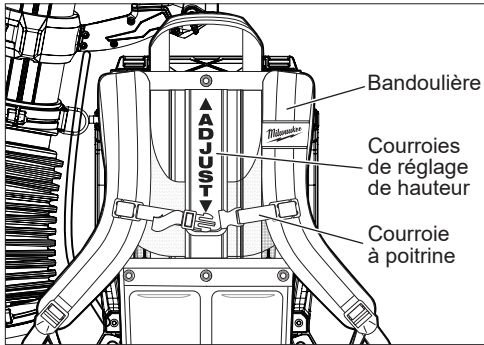
Immédiatement après l'utilisation du bloc-piles, le témoin de charge pourra afficher une charge inférieure que d'habitude si vous la révisiez quelques minutes après. Les éléments du bloc-piles « récupéreront » un peu de leurs charges après un peu de repos.



Voyants de l'indicateur de charge	Diagnostic	Solution
Voyants 1 à 4 fixes	Autonomie restante	Continuer à travailler
1 voyant clignotant lentement	Moins de 10 % d'autonomie restante	Préparez-vous à charger le bloc-piles
1 voyant clignotant vite	Charge faible	Charger le bloc-piles

Mise à dos

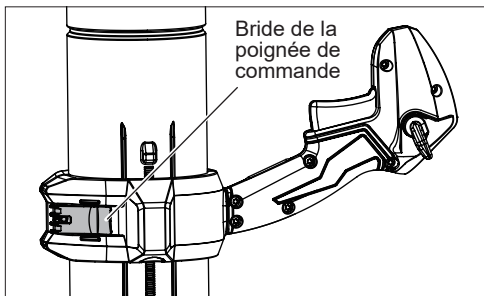
1. S'assurer que l'outil à dos se verrouille à la base.
2. Ramasser l'outil à dos par une des bandoulières, faire passer vos bras à travers de chacune des bandoulières.
3. Au moment où vous tenez la machine sur le dos, serrer les bandoulières jusqu'à achever une position confortable et sécuritaire, bien en haut sur votre dos. Connecter la sangle à poitrine.
4. S'assurer que la sangle à poitrine, les bandoulières soient bien serrées et confortables. Si elles ne sont pas serrées, la machine pourra glisser sur votre dos, ce qui la rendra inconfortable de la porter.
5. Il est possible d'ajuster la hauteur des bandoulières au besoin. Pour la régler, ouvrir les courroies de réglage de hauteur. Déplacer les bandoulières vers la hauteur désirée et puis rattacher les courroies de réglage de hauteur.



6. Tenir compte que la puissance de la machine ira changer durant son utilisation et mouvement, comme la torsion et le penchement.

Réglage de l'emplacement de la poignée de commande

1. Ouvrir la bride de la poignée de commande.



2. Déplacez la poignée de commande dans la position souhaitée.
3. Fermez la bride de la poignée de commande. Assurez-vous que la pince s'enclenche complètement.

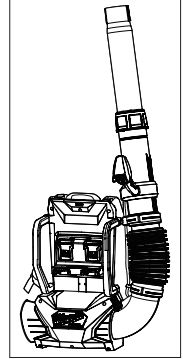
Réglage du tube de rallonge

1. Tourner le collier à gauche. Tirer sur le tube de rallonge vers l'emplacement désiré.
2. Tourner le collier à droite pour verrouiller le tube de rallonge en place.

Entreposage de l'outil

Il est possible d'accrocher le tube au corps de l'outil à l'aide du crochet de rangement lorsque l'outil n'est pas utilisé.

Pour l'**attacher**, glisser la bague sur le tube de rallonge dans le crochet de rangement. Tourner le collier à droite pour verrouiller le tube de rallonge en place. Pour le **retirer**, tirer sur la bague pour la faire sortir du crochet de rangement et la séparer du corps de l'outil.



MANIEMENT

⚠ AVERTISSEMENT Pour minimiser les risques de blessures, portez des lunettes à coques latérales.

Démarrage, arrêt et contrôle de la vitesse

⚠ AVERTISSEMENT Ne pas diriger l'outil vers soi ou une autre personne. Pendant l'utilisation, garder les autres personnes à une distance minimale de 15 m (50'). Des objets peuvent être projetés ou ricocher dans toutes les directions.

1. Pour **démarrer** l'outil, tirer fermement la poignée et appuyer sur la gâchette.
2. Pour **changer** la vitesse, augmenter ou réduire la pression exercée sur la gâchette. Plus la gâchette est appuyée, plus la vitesse augmentera.
3. Pour **arrêter** l'outil, relâcher la gâchette. S'assurer que l'outil parvient à s'arrêter complètement avant de le déposer.

Utilisation de la touche de cycle de mode

Utiliser la touche de cycle de mode pour passer entre les modes bas, moyen et haut. Les voyants à DEL changeront pour indiquer quel mode utilise l'outil.

Utilisation du verrouillage à vitesse variable

Utilisez le verrouillage de la vitesse variable pour maintenir une vitesse définie pendant l'utilisation de l'outil. Utilisez le verrouillage de la vitesse variable pour maintenir une vitesse définie pendant l'utilisation de l'outil.

Pour **activer** le verrouillage à vitesse variable, maintenez la gâchette enfoncée et poussez le verrouillage à vitesse variable avec votre pouce.

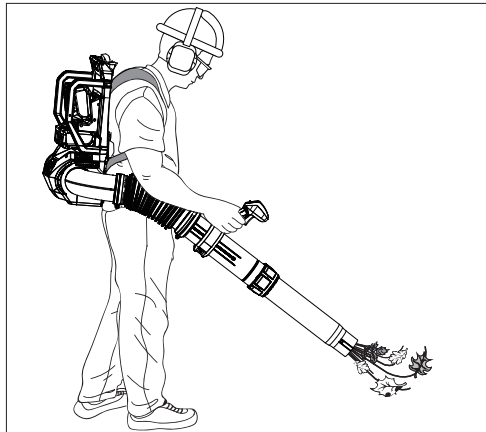
Pour **désactiver** le verrouillage à vitesse variable, maintenez la gâchette enfoncée et abaissez le verrouillage à vitesse variable avec votre pouce.

Utilisation de la soufflante

AVERTISSEMENT Inspecter la zone de travail avant d'utiliser l'outil. Éliminer tous les débris et les objets solides tels que pierres, verre, fils, etc. qui peuvent être ricochés ou projetés et peuvent causer des blessures ou des dommages pendant le fonctionnement.

Tenir le tube à une distance de 127 mm - 152 mm (5"-6") en dessous du sol.

Balayer lentement la soufflante d'un côté à l'autre. En avançant lentement, l'outil empilera les débris.



Au cas où des coincements surviennent, éteindre l'outil et retirer le bloc-piles avant de nettoyer les débris.

ENTRETIEN

AVERTISSEMENT Pour minimiser les risques de blessures corporelles, débranchez le chargeur et retirez la batterie du chargeur ou de l'outil avant d'y effectuer des travaux d'entretien. Ne jamais démonter le bloc-piles, le chargeur ou la batterie, sauf si ces instructions indiquent faire une telle chose. Pour toute autre réparation, contacter un centre de service de MILWAUKEE.

Entretien de l'outil

Gardez l'outil en bon état en adoptant un programme d'entretien ponctuel. Inspectez votre outil pour des questions telles que le bruit excessif, de grippage des pièces mobiles, de pièces cassées ou toute autre condition qui peut affecter le fonctionnement de l'outil. Retournez votre outil à un centre de service MILWAUKEE accrédité pour obtenir le service. Après une période pouvant aller de 6 mois à un an, selon l'usage, retournez votre outil à un centre de service MILWAUKEE accrédité pour d'inspection.

Si l'outil ne démarre pas ou ne fonctionne pas à pleine puissance alors qu'il est branché sur une batterie complètement chargée, nettoyez les points de contact entre la batterie et l'outil. Si l'outil ne fonctionne toujours pas correctement, renvoyez l'outil, le chargeur et la batterie à un centre de service MILWAUKEE accrédité.

AVERTISSEMENT Pour minimiser les risques de blessures ou de dommages à l'outil, n'immergez jamais l'outil, la batterie ou le chargeur et ne laissez pas de liquide s'y infiltrer.

Nettoyage

Débarrassez les tous événements des débris et de la poussière. Gardez les outil propres, à sec et exempts d'huile ou de graisse. Le nettoyage doit se faire avec un linge humide et un savon doux. Certains nettoyants tels l'essence, la térébenthine, les diluants à laque ou à peinture, les solvants chlorés, l'ammoniaque et les détergents d'usage domestique qui en contiennent pourraient détériorer le plastique et l'isolation des pièces. Ne laissez jamais de solvants inflammables ou combustibles auprès des outils.

Réparations

Pour les réparations, retournez outil, batterie et chargeur en entier au centre-service autorisé le plus près.

ACCESSOIRES

AVERTISSEMENT L'utilisation d'autres accessoires que ceux qui sont spécifiquement recommandés pour cet outil peut comporter des risques.

Pour une liste complète des accessoires, visiter le site internet www.milwaukeetool.com ou contactez un distributeur.

SERVICE - CANADA

Milwaukee Tool (Canada) Ltd

1.877.948.2360

Monday-Friday, 7:00 AM - 4:30 PM CST

www.milwaukeetool.ca

GARANTIE LIMITÉE - AUX ÉTATS-UNIS ET AU CANADA

Tout produit d'équipement électrique pour extérieur de MILWAUKEE* (voir les exceptions ci-dessous) est garanti à l'acheteur d'origine par un distributeur agréé MILWAUKEE d'être exempt uniquement de vice de matériau et de fabrication. Sous réserve de certaines exceptions, MILWAUKEE réparera ou remplacera toute pièce d'un produit d'équipement électrique pour extérieur qui, après examen, sera confirmée par MILWAUKEE d'être affectée d'un vice de matériau ou de fabrication pour une période de trois (3) ans** après la date d'achat, sauf indication contraire. Retourner l'équipement électrique pour extérieur à un centre de service en usine MILWAUKEE ou un poste d'entretien agréé MILWAUKEE, en port prépayé et assuré. Une copie de la preuve d'achat doit être présentée lors du retour du produit. Cette garantie ne couvre pas les dommages que MILWAUKEE détermine d'être causés par des réparations ou des tentatives de réparation par quiconque d'autre que le personnel agréé par MILWAUKEE, des utilisations incorrectes, des altérations, des utilisations abusives, une usure normale, une carence d'entretien ou des accidents.

Usure normale : Plusieurs produits électriques d'utilisation à l'extérieur doivent être soumis à la substitution périodique des leurs pièces ainsi que de l'entretien afin d'achever leur performance maximale. Cette garantie ne considère pas les réparations lorsque l'utilisation régulière a épuisé la vie d'une pièce, y compris, mais sans s'y limiter, les lames pour tondeuse, la tête de coupe, les lignes de coupe, les lames, les chaînes, les tubes de soufflante, les brosses, les joints toriques et les seaux.

* Cette garantie ne considère ni les blocs-piles portatifs ni les produits reconditionnés. Il y a d'autres garanties différentes disponibles pour ces produits.

** La période de la garantie pour les assemblages de réservoir SWITCH TANK™, les tuyaux, les poignées et les lances est d'un (1) an à partir de la date d'achat.

MILWAUKEE n'assume aucuns frais de transport ou de fabrication concernant l'inspection et la vérification des produits électriques d'utilisation à l'extérieur qui, de l'avis de MILWAUKEE, ne donnent pas droit à une réclamation au titre de la garantie. Pour être admissible, une réclamation au titre de la garantie doit être justifiée par un vice de matériau ou de fabrication découvert par MILWAUKEE.

L'ACCEPTATION DES RECOURS EXCLUSIFS DE RÉPARATION ET DE REMPLACEMENT DÉCRITS PAR LA PRÉSENTE EST UNE CONDITION DU CONTRAT D'ACHAT DE TOUT PRODUIT MILWAUKEE. SI VOUS N'ACCEPTÉZ PAS CETTE CONDITION, VOUS NE DEVEZ PAS ACHETER LE PRODUIT. EN AUCUN CAS MILWAUKEE NE SAURAIT ÊTRE RESPONSABLE DE TOUT DOMMAGE ACCESSOIRE, SPÉCIAL OU INDIRECT, DE DOMMAGES-INTÉRÊTS PUNITIFS OU DE TOUTE DÉPENSE, D'HONORAIRES D'AVOCATS, DE FRAIS, DE PERTE OU DE DÉLAIS ACCESSOIRES À TOUT DOMMAGE, DÉFAILLANCE OU DÉFAUT DE TOUT PRODUIT, Y COMPRIS NOTAMMENT LES PERTES DE PROFIT. CERTAINS ÉTATS ET PROVINCES NE PERMETTANT L'EXCLUSION OU LA LIMITATION DES DOMMAGES DIRECTS OU INDIRECTS, LES RESTRICTIONS CI-DESSOUS PEUVENT NE PAS ÊTRE APPLICABLES. CETTE GARANTIE EST EXCLUSIVE ET REMPLACE TOUTE AUTRE GARANTIE EXPRESSE, QU'ELLE SOIT VERBALE OU ÉCRITE. DANS LA MESURE PERMISE PAR LA LOI, MILWAUKEE RENONCE À TOUTE GARANTIE IMPLICITE, Y COMPRIS, SANS S'Y LIMITER, TOUTE GARANTIE IMPLICITE DE COMMERCIALISABILITÉ OU D'ADAPTATION À UNE UTILISATION OU À UNE FIN PARTICULIÈRE. DANS LA MESURE OU UNE TELLE STIPULATION D'EXONÉRATION N'EST PAS PERMISE PAR LA LOI, LA DURÉE DE CES GARANTIES IMPLICITES EST LIMITÉE À LA PÉRIODE APPLICABLE DE LA GARANTIE EXPRESSE, TELLE QUE CELA EST DÉCRIT PRÉCÉDEMMENT. CERTAINES PROVINCES NE PERMETTANT PAS DE LIMITATION DE DURÉE DES GARANTIES IMPLICITES, LES RESTRICTIONS CI-DESSUS PEUVENT NE PAS ÊTRE APPLICABLES. LA PRÉSENTE CONFÈRE À L'UTILISATEUR DES DROITS LÉGAUX PARTICULIERS: IL BÉNÉFICIE ÉGALEMENT D'AUTRES DROITS QUI VARIENT D'UNE PROVINCE À L'AUTRE. Cette garantie s'applique uniquement aux produits vendus aux États-Unis et au Canada.

Veillez consulter l'onglet « Trouver un centre de service », dans la section « Pièces et service » du site web de MILWAUKEE, à l'adresse www.milwaukeeetool.com, ou composer le 1.800.SAWDUST (1.800.729.3878) afin de trouver le centre de service le plus proche pour l'entretien, sous garantie ou non, de votre outil électrique MILWAUKEE.

familiarizadas con la herramienta eléctrica o con estas instrucciones la usen. Las herramientas eléctricas son peligrosas cuando están en manos de usuarios inexpertos.

- **Tenga especial cuidado al usarlo en escaleras. No estire demasiado el cuerpo. Mantenga un buen apoyo y equilibrio en todo momento. Mantenga el área de trabajo limpia y bien iluminada.** Esto permite un mejor control de la herramienta en situaciones inesperadas.
- **Evite las condiciones ambientales peligrosas. Para reducir el riesgo de descarga eléctrica, no exponga a la lluvia. Guarde la herramienta bajo techo.**
- **Inspeccione el área antes de utilizar la herramienta eléctrica.** Elimine toda la basura y objetos duros tales como rocas, vidrio, alambre, etc. que puedan salir disparados, lanzarse o de otra manera ocasionar lesiones o daños durante la operación.

SEGURIDAD PERSONAL

- **Manténgase alerta, preste atención a lo que hace y use su sentido común cuando maneje cualquier herramienta eléctrica. No use una herramienta eléctrica si está cansado o bajo la influencia de drogas, alcohol o medicamentos.** Un momento de distracción mientras maneja cualquier herramienta eléctrica puede dar como resultado graves lesiones personales.
- **Siempre use protección para los ojos. El uso de esta herramienta puede ocasionar que objetos extraños sean lanzados hacia los ojos, lo que puede causar daño ocular.**
- **Use una mascarilla facial o contra el polvo** cuando trabaje en situaciones donde haya polvo. Las partículas de polvo pueden dañar sus pulmones.
- **Utilice equipo de protección personal.** El equipo de protección, tal como protección auditiva, ropa de protección y zapatos de seguridad antiderrapantes utilizados en condiciones adecuadas reducirá las lesiones personales.
- **Vístase adecuadamente. No use alhajas ni vestimenta suelta. Mantenga el cabello y la ropa alejados de las partes móviles.** La ropa holgada, las alhajas o el cabello largo pueden quedarse atrapados en las partes móviles.
- **No apunte la herramienta hacia usted mismo ni hacia otras personas. Mantenga a los espectadores a 15 m (50') de distancia durante el uso.** Los objetos pueden salir lanzados o rebotar en todas direcciones.
- **No permita que la familiaridad por el uso frecuente de las herramientas lo haga sentirse seguro e ignore los principios de seguridad de las herramientas.** Un descuido puede provocar lesiones graves en una fracción de segundo.

USO Y CUIDADO DE LAS HERRAMIENTAS ELÉCTRICAS

- **Utilice la herramienta eléctrica, los accesorios, etc. de acuerdo con estas instrucciones, tomando en cuenta las condiciones de trabajo y el trabajo a realizar.** El uso de la herramienta eléctrica para funciones diferentes de aquellas para las que fue diseñada puede provocar una situación peligrosa.
- **Evite el arranque accidental. Asegúrese de que el interruptor esté en la posición de apagado antes de conectarlo a una fuente de poder y/o batería, levantar o trasladar la herramienta.**

IMPORTANTES INSTRUCCIONES DE SEGURIDAD

⚠ ADVERTENCIA Lea todas las advertencias, instrucciones e ilustraciones de seguridad y las especificaciones provistas con esta herramienta eléctrica. El no cumplir con todas las instrucciones indicadas a continuación puede causar un choque eléctrico, incendio y/o lesiones personales graves. Guarde todas las advertencias e instrucciones para futura consulta.

LEA TODAS LAS INSTRUCCIONES ANTES DE USAR

SEGURIDAD EN EL ÁREA DE TRABAJO

- **No se utilice en presencia de polvo, líquidos o vapores explosivos.** Las herramientas eléctricas tienen motores y otras partes que pueden producir chispas durante el uso normal. No se utilice a una distancia menor de 9 metros (30') de las áreas donde pueda haber materiales explosivos (como bombas de gasolina y lugares donde se guardan líquidos como disolventes de pintura, limpiadores, solventes, etc.).
- **No se utilice donde se use oxígeno o anestésicos.**
- **No permita que haya niños cerca del soplador.** Este producto no es un juguete. Es necesario prestar suma atención cuando se utilice cerca de los niños. Guarde las herramientas eléctricas que no estén en uso fuera del alcance de los niños y no permita que personas que no estén

Trasladar herramientas con el dedo en el interruptor o energizar herramientas eléctricas que tienen el interruptor encendido propicia accidentes.

- **Use la herramienta eléctrica correcta para su aplicación.** La herramienta eléctrica correcta hará el trabajo mejor y en forma más segura a la velocidad para la cual fue diseñada.
- **Use únicamente como se describe en este manual.** Utilice únicamente los accesorios recomendados por el fabricante.
- **No apunte la herramienta hacia ningún objeto que se esté quemando o despidiendo humo,** como cigarrillos, cerillos o cenizas calientes.
- **Para reducir el riesgo de peligros para la salud por los vapores o el polvo, no utilice la herramienta cerca de materiales tóxicos, carcinogénicos o peligrosos** como asbesto, arsénico, bario, berilio, plomo, pesticidas u otros materiales que pongan en peligro la salud.

⚠ ADVERTENCIA Algunos polvos generados por el lijado eléctrico, aserrado, pulido, taladrado y otras actividades de construcción contienen químicos identificados como causantes de cáncer, defectos congénitos u otros daños reproductivos. Algunos ejemplos de estos químicos son:

- plomo de pintura basada en plomo
- dióxido de silicio de los ladrillos y el cemento y otros productos de albañilería y
- arsénico y cromo de madera con tratamiento químico. Su riesgo por estas exposiciones varía, dependiendo de la frecuencia con que realice este tipo de trabajo. Para reducir su exposición a estos químicos: trabaje en un área bien ventilada y trabaje con equipo de seguridad aprobado, como mascarillas protectoras contra polvo especialmente diseñadas para filtrar partículas microscópicas.
- **No utilice la herramienta eléctrica si el interruptor no la enciende y la apaga.** Cualquier herramienta eléctrica que no pueda controlarse con el interruptor es peligrosa y debe repararse.
- **Evite que se encienda accidentalmente. Asegúrese de que el interruptor esté en posición de apagado antes de insertar la batería.** Insertar las baterías en herramientas con el interruptor en posición de encendido es invitar a que ocurra un accidente.
- **No coloque las manos ni objetos en las aberturas.** No use con ninguna de las aberturas bloqueadas; manténgalas libres de polvo, pelusa, cabello o cualquier otro objeto que pudiera reducir el flujo de aire.
- **Mantenga el mango y las superficies de sujeción secos, limpios y libres de aceite y grasa.** El mango y superficies de sujeción resbalosas no permiten el manejo y control seguros de la herramienta en situaciones inesperadas.
- **Dé mantenimiento a las herramientas eléctricas y accesorios.** Verifique que no haya desalineación, amarre de partes móviles, partes rotas o alguna otra condición que pueda afectar el funcionamiento de la herramienta eléctrica. Si se daña, asegúrese de que la herramienta eléctrica sea reparada antes de que se utilice. Muchos accidentes son ocasionados por herramientas eléctricas con mantenimiento deficiente.

USO Y CUIDADO DE LA HERRAMIENTA DE LA BATERÍA

- **Extraiga la batería de la herramienta antes de hacer cualquier ajuste, cambiar accesorios, almacenar o siempre que la herramienta no se esté utilizando.** Dichas medidas de seguridad preventivas reducen el riesgo de que la herramienta eléctrica se active por accidente.
- **Apague la herramienta eléctrica antes de retirar la batería.**
- **No manipule la batería, la herramienta o el cargador (incluyendo el tapón y las terminales del cargador) con las manos húmedas.**
- **Antes de utilizar la batería o el cargador, lea los manuales del operador y cualquier etiqueta presente en la batería, el cargador y la herramienta.**
- **Recargue únicamente con el cargador especificado por el fabricante.** Un cargador que es adecuado para un tipo de batería puede crear un riesgo de incendio si se utiliza con otra batería.
- **Utilice la herramienta únicamente con baterías específicamente diseñadas.** El uso de cualquier otra batería puede producir un riesgo de lesiones e incendio.
- **Cuando la batería no esté en uso, manténgala alejada de otros objetos metálicos como sujetapapeles, monedas, llaves, clavos, tornillos u otros objetos metálicos pequeños que puedan formar una conexión de una terminal a otra.** Crear un corto entre las terminales de la batería puede ocasionar quemaduras o un incendio.
- **Bajo condiciones de uso indebido, el líquido puede ser expulsado de la batería, evite el contacto. En caso de contacto accidental, lave con agua. Si el líquido entra en contacto con los ojos, busque también ayuda médica.** El líquido expulsado de la batería puede causar irritación o quemaduras. Puede ser tóxico si se ingiere.
- **No utilice una batería o herramienta con daños.** Si la batería o el aparato no está funcionando como debería, se ha dejado caer, está dañado, se dejó a la intemperie o cayó en agua, regréselo a un centro de servicio.
- **No modifique ni intente reparar la herramienta ni la batería usted mismo.**
- **No exponga una batería o herramienta al fuego o a temperatura excesiva.** La exposición a fuego o temperatura a más de 130° C (265° F) puede causar explosiones.
- **Siga todas las instrucciones de carga y no cargue la batería o la herramienta fuera del rango de temperatura especificado en las instrucciones.** La carga incorrecta o a temperaturas fuera del rango especificado puede dañar la batería y aumentar el riesgo de incendio.

MANTENIMIENTO

- **Lleve su herramienta eléctrica a servicio con un técnico calificado que use únicamente piezas de reemplazo idénticas.** Esto asegurará que la seguridad de la herramienta eléctrica se mantenga.
- **Nunca dé servicio a baterías dañadas.** Únicamente el fabricante o proveedores de servicio autorizados deben dar servicio a las baterías.
- **Conservar las etiquetas y las placas nominales.** Contienen información importante. Si son ilegibles o no están presentes, comuníquese con un centro de servicio MILWAUKEE para obtener un reemplazo gratuito.

REGLAS ESPECIFICAS DE SEGURIDAD PARA SOPLADORES

- **Use protección de ojos, orejas, cabeza y manos.** El uso del equipamiento de protección adecuado reducirá las posibilidades de sufrir una lesión física ocasionada por residuos en el aire.
- **Siempre use calzado de seguridad mientras usa la máquina. No use la máquina si está descalzo o trae puestas sandalias.** Así reducirá las probabilidades de sufrir lesiones en los pies ocasionadas por el contacto con los residuos.
- **Siempre utilice pantalones largos mientras usa la máquina.** Hay mayores probabilidades de sufrir lesiones por objetos en el aire con la piel expuesta.
- **No deje que nadie se acerque mientras usa la máquina.** Los residuos en el aire pueden ocasionar lesiones físicas graves.

⚠ ADVERTENCIA Para reducir el riesgo de lesiones, al momento de realizar trabajos en situaciones donde haya presencia de polvo, utilice la protección respiratoria adecuada o utilice una solución de extracción de polvo que cumpla con los requisitos de la OSHA.

• **Válgase siempre de su sentido común y sea cuidadoso cuando utilice herramientas.** No es posible anticipar todas las situaciones que podrían tener un desenlace peligroso. No utilice esta herramienta si no entiende estas instrucciones de uso o si considera que el trabajo a realizar supera sus capacidades, comuníquese con Milwaukee Tool o con un profesional capacitado para recibir capacitación o información adicional.

• **Conserve las etiquetas y las placas nominales.** Contienen información importante. Si son ilegibles o no están presentes, comuníquese con un centro de servicio MILWAUKEE para obtener un reemplazo gratuito.







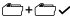






⚠ ADVERTENCIA Algunos polvos generados por el lijado eléctrico, aserrado, pulido, taladrado y otras actividades de construcción contienen químicos identificados como causantes de cáncer, defectos congénitos u otros daños reproductivos. Algunos ejemplos de estos químicos son:

- plomo de pintura basada en plomo
- dióxido de silicio de los ladrillos y el cemento y otros productos de albañilería y
- arsénico y cromo de madera con tratamiento químico. Su riesgo por estas exposiciones varía, dependiendo de la frecuencia con que realice este tipo de trabajo. Para reducir su exposición a estos químicos: trabaje en un área bien ventilada y trabaje con equipo de seguridad aprobado, como mascarillas protectoras contra polvo especialmente diseñadas para filtrar partículas microscópicas.

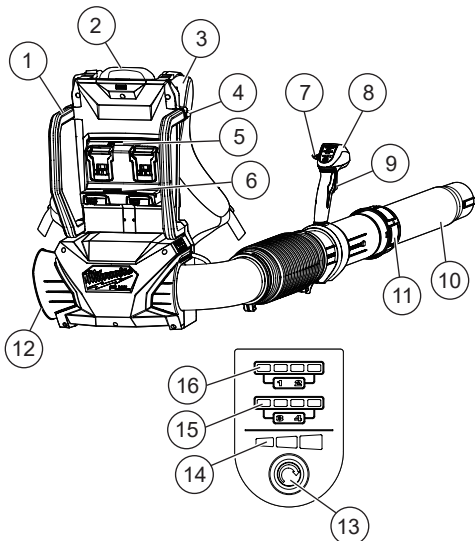
ESPECIFICACIONES

Cat. No.....	3009-20
Volts.....	36 CD
Tipo de batería	M18™
Tipo de cargador	M18™
RPM.....	0 - 21 500
Velocidad del aire	0 - 155 MPH
Volumen de aire.....	0 - 650 CFM
Distancia de las personas 15 m (50')	nivel de presión sonora 64 dB(A) 62 dB(A)
Temperatura ambiente recomendada para operar.....	-15°C a 45°C (5°F a 113°F)
Cat. No. de boquilla cónica.....	31-12-0121
Cat. No. de boquilla plana	31-12-0122

SIMBOLOGÍA

	Volts
	Corriente continua
n, XXXX min ⁻¹	Revoluciones por minuto sin carga (RPM)
	Símbolo de alerta de seguridad
	Lea el manual del operador
	Siempre use protección ocular, protección auditiva y ropa y calzado de protección.
	Distancia de las personas 15 m (50') nivel de presión sonora
	Necesita varias baterías
	Mantenga a los espectadores a 15 m (50') de distancia durante el uso.
	No apunte la herramienta hacia usted mismo ni hacia otras personas. Los objetos pueden salir lanzados o rebotar en todas direcciones.
	No ponga las manos ni objetos en las aberturas. Pueden ocurrir laceraciones.
	Mantenga el cabello sujetado. Las partes móviles pueden atraparlo.
	No use ropa o joyería holgada. Las partes móviles pueden atraparlo
	UL Listing Mark para Canadá y Estados Unidos

DESCRIPCION FUNCIONAL



- | | |
|----------------------------------|--|
| 1. Asas de elevación | 11. Cuello |
| 2. Asa de traslado | 12. Ventila de entrada de aire |
| 3. Correas de hombros | 13. Botón de ciclo de modo |
| 4. Gancho de almacenamiento | 14. Luces LED |
| 5. Bahía superior de batería* | 15. Indicador de combustible del compartimento inferior de la batería* |
| 6. Bahía inferior de batería* | 16. Indicador de combustible del compartimento superior de la batería* |
| 7. Bloqueo de velocidad variable | |
| 8. Empuñadura de control | |
| 9. Gatillo | |
| 10. Tubo de extensión | |

* Les emplacements de batterie marqués 1 et 2 constituent la baie de batterie supérieure. Les emplacements de batterie marqués 3 et 4 constituent la baie de batterie inférieure.

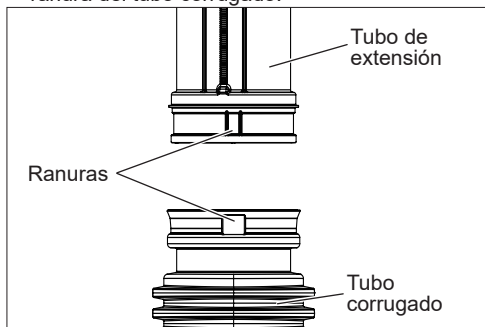
CONFIGURACIÓN

La herramienta se envía con el tubo de extensión desarmado.

Antes de usarla por primera vez:

1. ¡**ADVERTENCIA!** Retire la batería para evitar arrancar la herramienta.
2. Asegúrese de que el alambre y las correas de hombros no estén enredados.

3. Alinee la ranura en el tubo de extensión con la ranura del tubo corrugado.

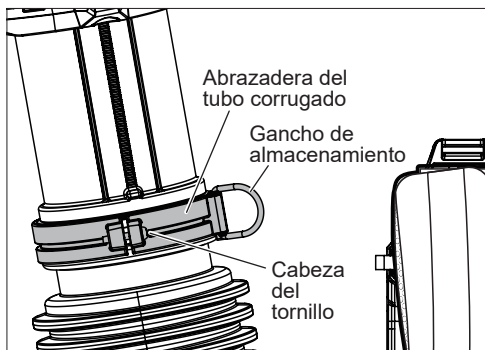


4. Empuje el tubo de extensión para meterlo en el tubo corrugado, prestando atención a que las ranuras entren a presión entre sí.

NOTA: Para contar con más espacio, es posible mover la empuñadura de control para que quede más alejada del tubo corrugado (consulte la sección "Ajuste de la posición de la empuñadura de control").

5. Meta la abrazadera del tubo corrugado encima de la ranura del tubo corrugado. El gancho de almacenamiento en la abrazadera del tubo corrugado debe dirigirse hacia el cuerpo de la herramienta.
6. Fije la abrazadera del tubo corrugado al tubo corrugado con una llave T25 (incluida). El tornillo debe insertarse en el orificio del costado del cuerpo de la herramienta, con el tornillo dirigiéndose en la dirección opuesta adonde se encuentra el cuerpo de la herramienta.

NOTA: No apriete de más el tornillo. La empuñadura de control debe poder girar libremente cerca de tres cuartos alrededor del tubo.



ENSAMBLAJE

⚠ ADVERTENCIA Recargue la batería sólo con el cargador especificado para ella. Para instrucciones específicas sobre cómo cargar, lea el manual del operador suministrado con su cargador y la batería.

Como se inserta/quita la batería en la herramienta

Para **retirar** la batería, presione los botones de liberación y jale de la batería para sacarla de la herramienta.

⚠ ADVERTENCIA Retire la batería cada vez que la herramienta no esté en uso.

Para **introducir** la batería, deslícela en el cuerpo de la herramienta. Asegúrese de que quede bien firme en su posición.

- El soplador necesita un mínimo de dos baterías cargadas para que funcione.
- El soplador no funcionará con una sola batería.
- Debe haber un mínimo de dos baterías cargadas en la misma hilera de bahía de baterías para que la herramienta funcione.
- Para mejores resultados, use (4) baterías HIGH OUTPUT™ HD12,0 de MILWAUKEE o unas con una mayor capacidad.

⚠ ADVERTENCIA Utilice únicamente accesorios específicamente recomendados para esta herramienta. El uso de accesorios no recomendados podría resultar peligroso.

Instalación/remoción de los accesorios

Para **instalar** las boquillas, alinee las pestañas en la boquilla con las ranuras que están en el tubo. Deslice la boquilla en el tubo hasta que se fije a presión. Jale la boquilla para asegurarse de que está bien fija. Para quitarla, presione las pestañas hacia adentro y jálelo para separarlo de la herramienta.

Indicador de carga

Use los indicadores de carga para determinar el tiempo de operación restante que tiene la batería con menos carga. Los indicadores de carga están numerados para que correspondan a las bahías de baterías individuales. Cuando quede menos de 10 % de carga, 1 luz en los indicadores de carga parpadeará lentamente. Cuando la batería esté al 0 % de su carga, 1 luz en el indicador de carga parpadeará rápidamente. Cargue las baterías.

Si parece que el indicador de carga no funciona, ponga la batería correspondiente en el cargador y cárguela cuanto sea necesario. Si eso no resuelve el problema, devuelva la herramienta, la batería y el cargador al centro de servicio autorizado más cercano.

NOTA: Es necesario que se instalen ambas baterías en una bahía de baterías determinada para que funcionen los indicadores de carga.

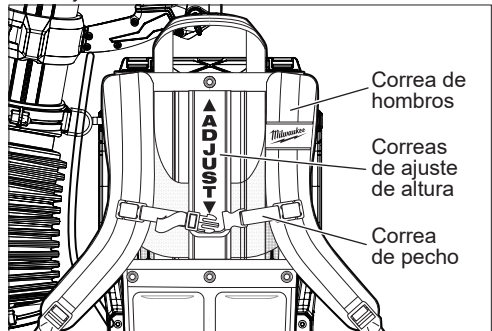
Inmediatamente después de usar una batería, el indicador de carga podrá mostrar una carga menor a la que mostraría si se revisara más tarde. Las celdas de la batería "recuperan" parte de la carga después de estar sin funcionar.



Luces del indicador de carga	Diagnóstico	Solución
Luces 1 a 4 fijas	Tiempo de operación restante	Puede seguir trabajando
1 luz que parpadea lentamente	Queda menos de 10 % de tiempo de operación	Prepárese a cargar la batería
1 luz que parpadea rápidamente	Totalmente descargado	Cargue la batería

Colocación de la mochila

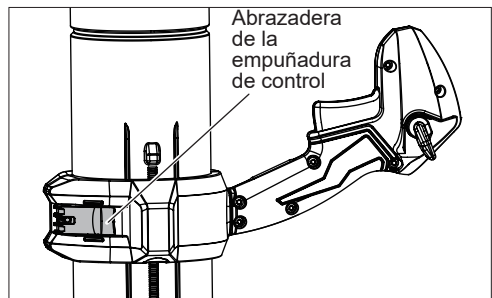
1. Asegúrese de que la mochila esté perfectamente fija en la base.
2. Levante la mochila por una de las correas para hombros y deslice los brazos a través de cada correa.
3. Con la máquina en la espalda, apriete las correas de los hombros y la cintura hasta que queden ajustadas y firmes, en la parte superior de la espalda. Conecte la correa del pecho.
4. Asegúrese de que las correas de los hombros, el pecho y la cintura estén ajustadas pero sean cómodas; si están demasiado flojas, la máquina puede deslizarse sobre su espalda, por lo que será incómodo llevarla en la espalda.
5. Puede ajustarse la altura de las correas de hombros en caso de que sea necesario. Para ajustarla, abra las correas de ajuste de altura. Mueva las correas de hombros hacia la altura deseada y, después, vuelva a poner las correas de ajuste de altura.



6. Tenga en cuenta que la potencia de la máquina podrá cambiar durante su uso y movimiento, como la torsión o el doblez.

Ajuste de la posición de la empuñadura de control

1. Abra la abrazadera de la empuñadura de control.



2. Mueva la empuñadura de control a la posición deseada.
3. Cierre la abrazadera de la empuñadura de control. Asegúrese de que la abrazadera encaje completamente en su lugar.

Ajuste del tubo de extensión

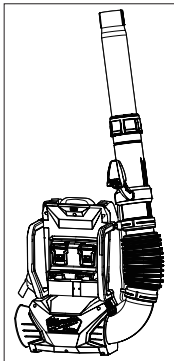
1. Gire el collar a la izquierda. Jale el tubo de extensión hacia la posición deseada.
2. Gire el collar a la derecha para fijar el tubo de extensión en su lugar.

Almacenamiento de la herramienta

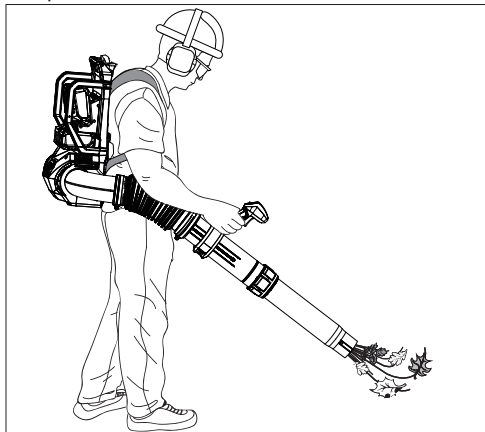
Es posible enganchar el tubo al cuerpo de la herramienta con el gancho de almacenamiento cuando no esté en uso.

Para **fijarlo**, deslice el anillo en el tubo de extensión dentro del gancho de almacenamiento. Gire el collar a la derecha para fijar el tubo de extensión en su lugar.

Para **quitarlo**, jale el anillo para sacarlo del gancho de almacenamiento y sepárelo del cuerpo de la herramienta.



Avance lentamente, trabajando los escombros en una pila.



OPERACIÓN

ADVERTENCIA Para reducir el riesgo de lesiones, use protectores lentes de seguridad o anteojos con protectores laterales.

Cómo arrancar, detener y controlar la velocidad

ADVERTENCIA No apunte la herramienta hacia usted mismo ni hacia otras personas. Mantenga a los espectadores a 15 m (50') de distancia durante el uso. Los objetos pueden salir lanzados o rebotar en todas direcciones.

1. Para **encender** la herramienta, sujete la empuñadura firmemente y jale el gatillo.
2. Para **cambiar** la velocidad, aumente o disminuya la presión que ejerce sobre el gatillo. Mientras más se jale el gatillo, mayor será la velocidad.
3. Para **detener** la herramienta, suelte el gatillo. Asegúrese de que la herramienta se haya detenido por completo antes de bajarla.

Uso del botón de ciclo de modo

Use el botón de ciclo de modo para navegar entre los modos bajo, medio y alto. Las luces LED cambiarán para indicar cuál es el modo que está usando la herramienta.

Uso del bloqueo de velocidad variable

Utilice el bloqueo de velocidad variable para mantener una velocidad establecida mientras opera la herramienta.

Para **activar** el bloqueo de velocidad variable, mantenga presionado el gatillo y presione hacia arriba el bloqueo de velocidad variable con el pulgar.

Para **desactivar** el bloqueo de velocidad variable, mantenga presionado el gatillo y tire hacia abajo el bloqueo de velocidad variable con el pulgar.

Uso del soplador

ADVERTENCIA Inspeccione el área antes de utilizar la unidad. Elimine toda la basura y objetos duros tales como rocas, vidrio, alambre, etc. que puedan salir disparados, lanzarse o de otra manera ocasionar lesiones o daños durante la operación.

Sostenga el tubo de 127 mm (5") a 152 mm (6") por encima del suelo.

Pase lentamente el soplador de lado a lado.

En caso de que ocurran bloqueos, apague la herramienta y quite la batería antes de limpiar los residuos.

MANTENIMIENTO

ADVERTENCIA Para reducir el riesgo de una lesión, desconecte siempre la herramienta antes de darle cualquier mantenimiento. Nunca desarme la batería, el cargador o la herramienta, salvo que así lo indiquen estas instrucciones. Comuníquese con un centro de servicio de MILWAUKEE para todas las demás reparaciones.

Mantenimiento de las herramientas

Adopte un programa regular de mantenimiento y mantenga su herramienta en buenas condiciones. Inspeccione la herramienta para problemas como ruidos indebidos, desalineadas o agarradas de partes móviles, piezas rotas o cualquier otra condición que pueda afectar el funcionamiento de la herramienta. Envíe su herramienta al Centro de Servicio MILWAUKEE para reparación. Después de 6 meses a un año, dependiendo del uso dado, envíe su herramienta al Centro de Servicio MILWAUKEE más cercano para la inspección.

Si la herramienta no arranca u opera a toda su potencia con una batería completamente cargada, limpie, con una goma o borrador, los contactos de la batería y de la herramienta. Si aun así la herramienta no trabaja correctamente, regrésela, con el cargador y la batería, a un centro de servicio MILWAUKEE.

ADVERTENCIA Para reducir el riesgo de lesiones, descarga eléctrica o daño a la herramienta, nunca la sumerja en líquidos ni permita que estos fluyan dentro de la misma.

Limpieza

Limpie el polvo y suciedad de las cualquier ventilas. Mantenga los herramienta, limpios, secos y libres de aceite o grasa. Use solo jabón neutro y un trapo húmedo para limpiar, ya que algunos sustancias y solventes limpiadores son dañinos a los plásticos y partes aislantes. Algunos de estos incluyen: gasolina, turpentina, thinner, lacas, thinner para pinturas, solventes para limpieza con cloro, amoníaco y detergentes caseros que tengan amonía. Nunca usa solventes inflamables o combustibles cerca de una herramienta.

Reparaciones

Si su herramienta, batería o cargador están dañados, envíela al centro de servicio autorizado más cercano.

ACCESORIOS

ADVERTENCIA Utilice sólo los accesorios específicamente recomendados. Otros accesorios puede ser peligroso.

Para una lista completa de accesorios, visite nuestro sitio en Internet: www.milwaukeetool.com o póngase en contacto con un distribuidor.

SOPORTE DE SERVICIO - MEXICO

CENTRO DE ATENCION A CLIENTES

Techtronic Industries Mexico, S.A. de C.V.

Av. Presidente Masarik 29 Piso 7

11560 Polanco V Sección

Miguel Hidalgo, Distrito Federal, México

01 (800) 030-7777 o (55) 4160-3540

Lunes a Viernes (9am a 6pm)

O contactanos en www.milwaukeetool.com.mx

GARANTÍA LIMITADA - E.U.A. Y CANADA

Todo producto de equipamiento eléctrico para exteriores MILWAUKEE* (consulte las excepciones a continuación) está garantizado ante el comprador original por un distribuidor autorizado MILWAUKEE únicamente de que no tenga material y mano de obra defectuosos. Con algunas excepciones, MILWAUKEE reparará o cambiará cualquier pieza de un producto de equipamiento eléctrico para exteriores que tenga defectos de material o mano de obra, según lo determine MILWAUKEE mediante una revisión, por un periodo de (3) años** después de la fecha de compra, a menos que se indique lo contrario. Devuelva al equipamiento eléctrico para exteriores a un centro de servicio de fábrica MILWAUKEE o una estación de servicio autorizada participante MILWAUKEE, con flete prepago y asegurado. Se debe incluir una copia del comprobante de compra con el producto devuelto. Esta garantía no aplica a daños que MILWAUKEE determine que son ocasionados por reparaciones o intentos de reparaciones realizados por una persona que no sea personal autorizado de MILWAUKEE, uso indebido, alteraciones, maltrato, desgaste normal, falta de mantenimiento o accidentes.

Desgaste normal. Muchos productos de equipamiento eléctrico para exteriores necesitan cambios de piezas y mantenimiento periódicos para alcanzar su máximo rendimiento. La presente garantía no cubre las reparaciones cuando el uso normal del producto haya agotado la vida útil de una pieza, que podría incluir, entre otras, las hojas de podadora, el cabezal de corte, el carrete del cabezal de la desbrozadora, las líneas de corte, las hojas, las cadenas, los tubos del soplador, los cepillos, las juntas tóricas y los sellos.

*La presente garantía no cubre ni la batería ni los productos recondicionados. Están disponibles distintas garantías independientes para estos productos.

**La vigencia de la garantía de los ensambles de tanque SWITCH TANK™, mangueras, empuñaduras y extensiones es de un (1) año a partir de la fecha de compra.

MILWAUKEE no cubre los cargos por flete o mano de obra relacionados con la inspección y el análisis de los productos eléctricos para exteriores que MILWAUKEE haya descubierto que no conforman una reclamación de garantía válida. Una reclamación de garantía válida deberá estar fundamentada por el descubrimiento de material o fabricación defectuosos por parte de MILWAUKEE.

LA ACEPTACIÓN DE LOS RESARCIMIENTOS EXCLUSIVOS DE REPARACIÓN Y SUSTITUCIÓN AQUÍ DESCRITOS ES UNA CONDICIÓN DEL CONTRATO EN CUANTO A LA COMPRA DE TODO PRODUCTO DE MILWAUKEE. SI USTED NO ACEPTA ESTA CONDICIÓN, NO DEBE COMPRAR EL PRODUCTO. MILWAUKEE NO SERÁ RESPONSABLE EN NINGÚN CASO DE DAÑOS INCIDENTALES, ESPECIALES, EMERGENTES O PUNITIVOS NI DE NINGÚN

COSTO, HONORARIOS DE ABOGADOS, GASTOS, PÉRDIDAS O DEMORAS QUE SUPUESTAMENTE SEAN CONSECUENCIA DE ALGUN DAÑO, FALLA O DEFECTO DE ALGUNO DE LOS PRODUCTOS, INCLUYENDO, ENTRE OTROS, RECLAMACIONES POR PÉRDIDA DE UTILIDADES. ALGUNOS ESTADOS NO PERMITEN LA EXCLUSIÓN O LIMITACIÓN DE RESPONSABILIDAD POR DAÑOS INCIDENTALES O EMERGENTES, POR LO QUE LA ANTERIOR LIMITACIÓN O EXCLUSIÓN PODRÍA NO APLICARSE EN SU CASO. ESTA GARANTÍA ES EXCLUSIVA Y SUSTITUYE TODAS LAS DEMÁS GARANTÍAS EXPRESAS, SEAN ESTAS ESCRITAS U ORALES. HASTA DONDE PERMITA LA LEY, MILWAUKEE DESCONOCE CUALQUIER GARANTÍA IMPLÍCITA, INCLUYENDO, SIN LIMITACIÓN, CUALQUIER GARANTÍA IMPLÍCITA DE COMERCIABILIDAD O IDONEIDAD PARA UN FIN O USO ESPECÍFICO; HASTA EN QUE DICHO DESCONOCIMIENTO NO SEA PERMITIDO POR LA LEY, DICHAS GARANTÍAS IMPLÍCITAS SE LIMITAN A LA DURACIÓN DE LA GARANTÍA EXPRESA CORRESPONDIENTE SEGÚN LO ARRIBA DESCRITO. ALGUNOS ESTADOS NO PERMITEN LIMITACIONES EN LA VIGENCIA DE UNA GARANTÍA IMPLÍCITA, POR LO QUE LA ANTERIOR LIMITACIÓN PODRÍA NO APLICAR A USTED. ESTA GARANTÍA LE CONFIERE DERECHOS JURÍDICOS ESPECÍFICOS Y USTED PODRÍA, ADEMÁS, TENER OTROS DERECHOS QUE VARIAN SEGÚN EL ESTADO.

Esta garantía aplica únicamente a los productos vendidos en EE. UU. y Canadá.

Consulte la pestaña "Búsqueda de centros de servicio" en la sección "Piezas y servicio" del sitio web de MILWAUKEE en www.milwaukeetool.com o llame al 1.800.SAWDUST (1.800.729.3878) para localizar su centro de servicio más cercano para darle servicio, con o sin garantía, a una herramienta eléctrica de MILWAUKEE.

PÓLIZA DE GARANTÍA - VALIDA SOLO PARA MEXICO, AMÉRICA CENTRAL Y EL CARIBE

La garantía de TECHTRONIC INDUSTRIES es por 3 años a partir de la fecha original de compra.

Esta tarjeta de garantía cubre cualquier defecto de material y mano de obra en ese Producto.

Para hacer válida esta garantía, presente esta tarjeta de garantía, cerrada/sellada por el distribuidor o la tienda donde compró el producto, al Centro de Servicio Autorizado (ASC). O, si esta tarjeta no se ha cerrado/sellado, presente la prueba original de compra a ASC. Llame 55 4160-3547 para encontrar el ASC más cercano, para servicio, partes, accesorios o componentes.

Procedimiento para hacer válida esta garantía

Lleve el producto a ASC, junto con la tarjeta de garantía cerrada/sellada por el distribuidor o la tienda donde compró el producto, y cualquier pieza o componente defectuoso se reemplazará sin costo para usted. Cubriremos todos los costos de flete con relación a este proceso de garantía.

Excepciones

Esta garantía no tendrá validez en las siguientes situaciones:

- Cuando el producto se use de manera distinta a la que indica el manual del usuario final o de instrucciones.
- Cuando las condiciones de uso no sean normales.
- Cuando otras personas no autorizadas por TECHTRONIC INDUSTRIES modifiquen o reparen el producto.

Nota: si el juego de cables está dañado, tiene que reemplazarse en un Centro de Servicio Autorizado para evitar riesgos eléctricos.

CENTRO DE SERVICIO Y ATENCIÓN

Llame al 55 4160-3547

IMPORTADO Y COMERCIALIZADO POR
TECHTRONIC INDUSTRIES, MÉXICO, S.A. DE C.V.
Miguel de Cervantes Saavedra No.301 Piso 5, Torre Norte
11520 Colonia Ampliación Granada
Miguel Hidalgo, Ciudad de Mexico, Mexico

Modelo: _____

Fecha de Compra: _____

Sello del Distribuidor: _____

MILWAUKEE TOOL
13135 West Lisbon Road
Brookfield, WI 53005 USA

58140297d2
12/23

961015502-01(A)
Printed in